

WHIP INDUSTRIES, INC.

WFP12ARC (STD.)

&

WFP12ARC-E (EXT.)

12,000 LBS CAPACITY

FOUR POST GROUND ALIGNMENT LIFT

INSTALLATION INSTRUCTIONS & MANUAL

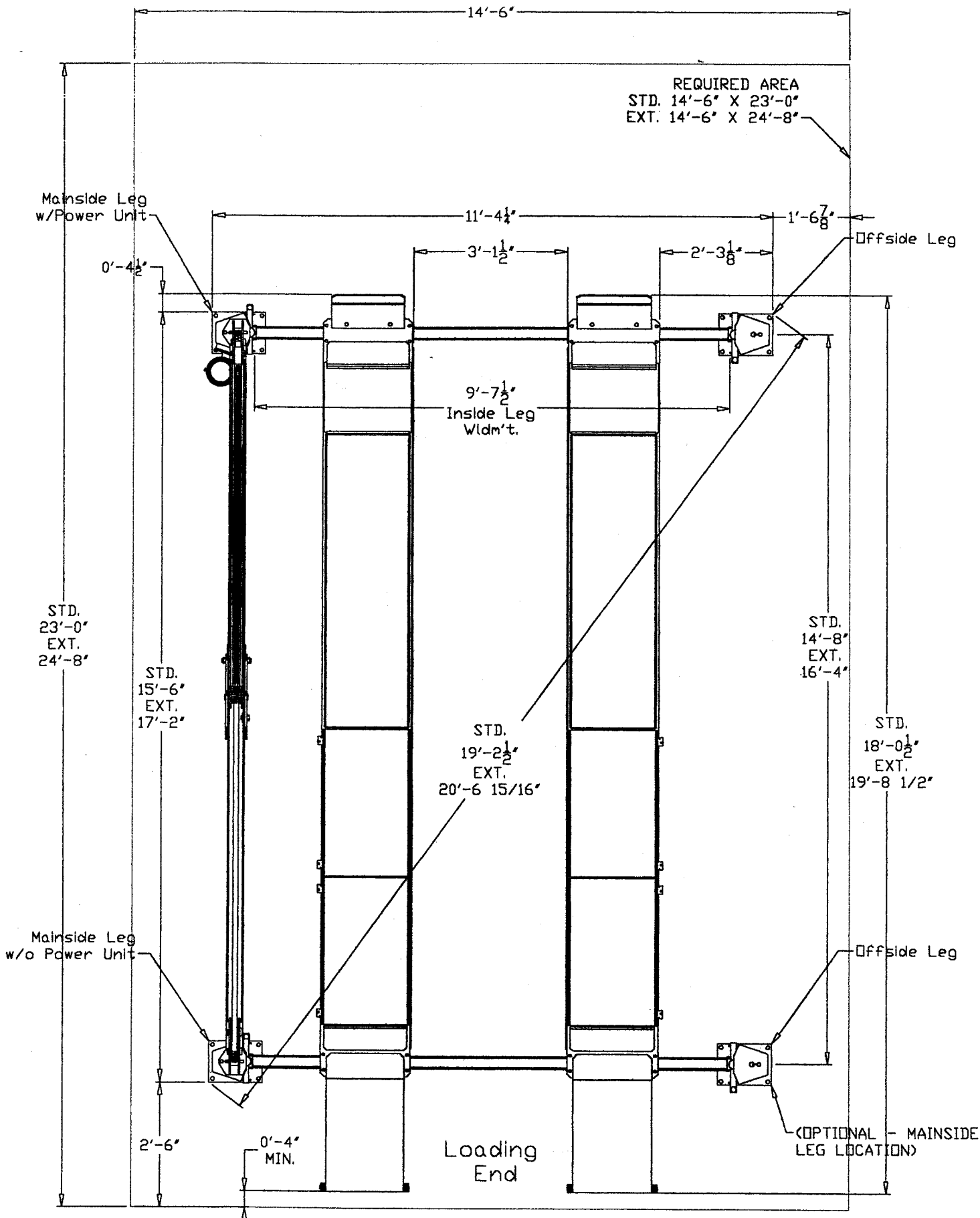
WHIP INDUSTRIES, INC

7711 WYATT DR.

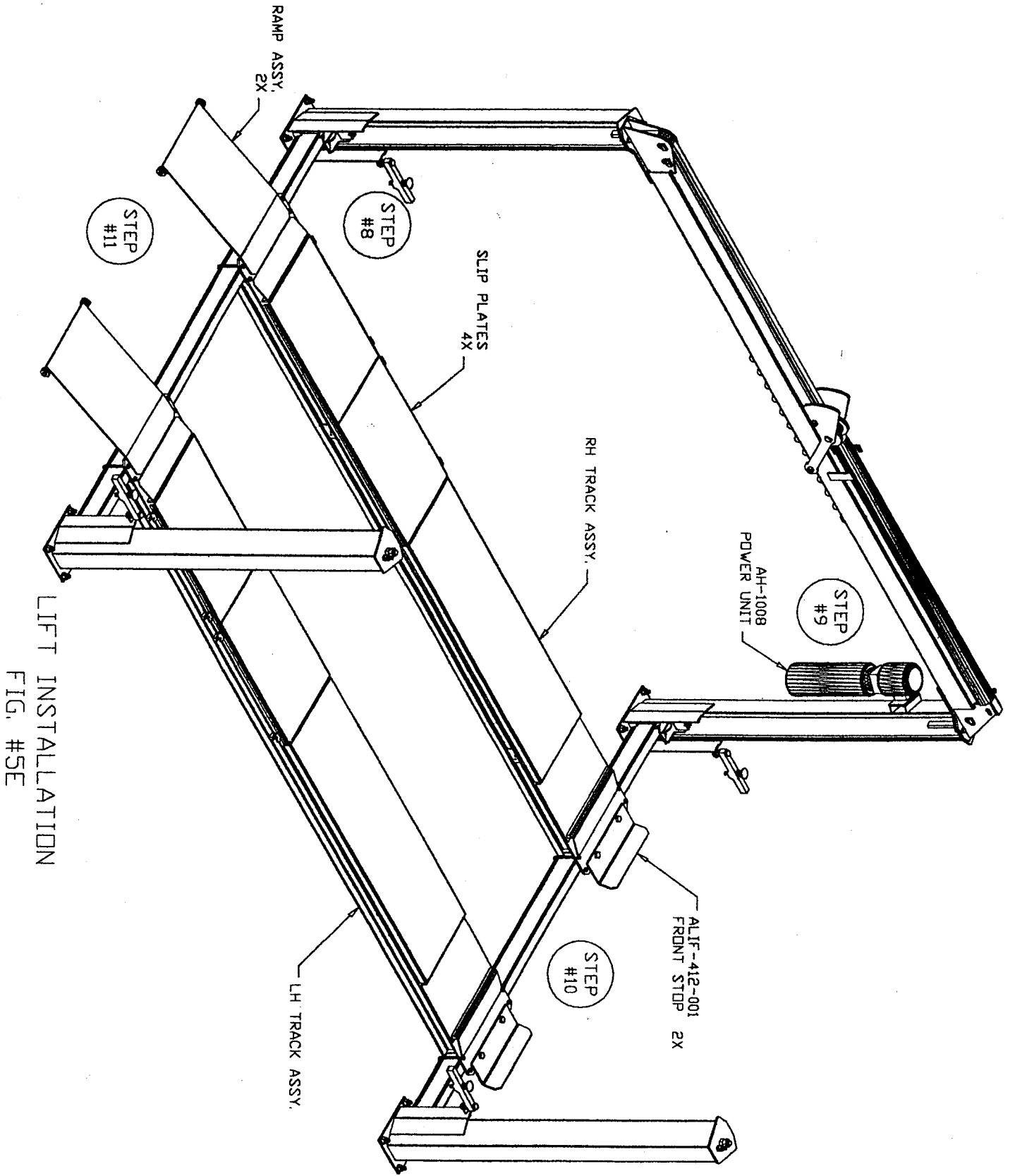
FORT WORTH, TEXAS 76108

(817) 246-1088 FAX (817) 246-2898

E-MAIL: WhipInd@SWBell.net



LAYOUT &
 INSTALLATION SPECIFICATION



LIFT INSTALLATION
 FIG. #5E